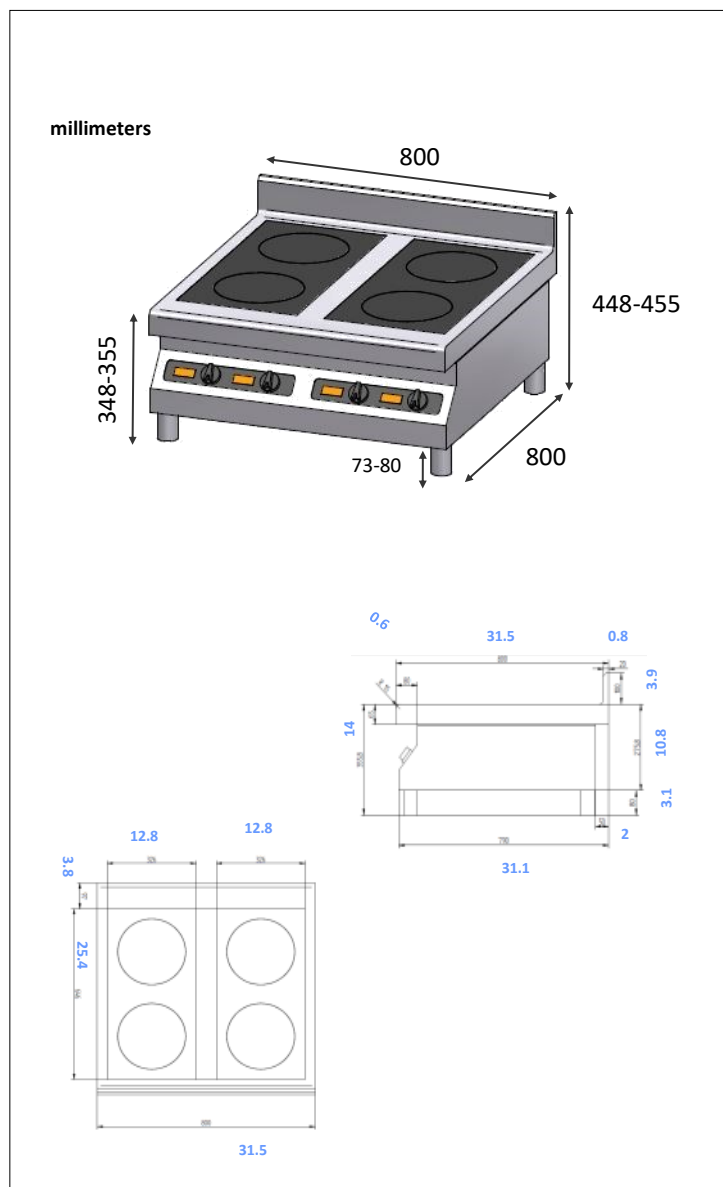


TECHNICAL FEATURES	
External structure	AISI 304 stainless steel
Dimensions	800 x 800 x 348-355mm
Power	16.000 W
Cooking surface	Vitroc ceramic glass.
Control panel	Knob control
Amp	24A
Functions	On/Off, manual power setting (+/-) with 4 digits display.
Power supply	380-400V three-phase 440V upon request AC 50-60Hz Compatible with TERA WATT energy optimizer.
Weight	95 kg / 209,4lbs
Standards	Complies with European standards for safety of electrical appliances, for EMC, for Rohs and Intertek NSF & UL standards.
Options & Details	<b>One electrical connection.</b> Including a filter (wash regularly). Adjustable and removable feet.



**ADVENTYS**  
Route de Pagny - 21250 Seurre - France  
www.adventys.com  
sales@adventys.com  
T: +33 3 80 20 46 15

Important note

Adventys reserves the right to modify specifications without notice.

